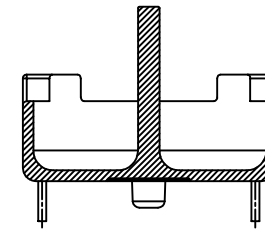
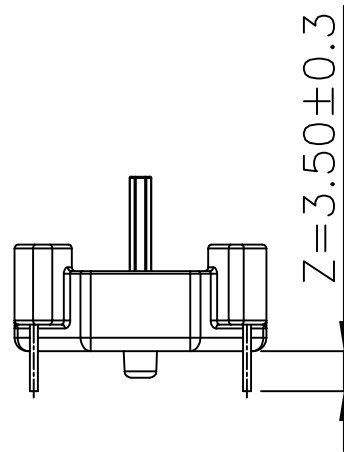
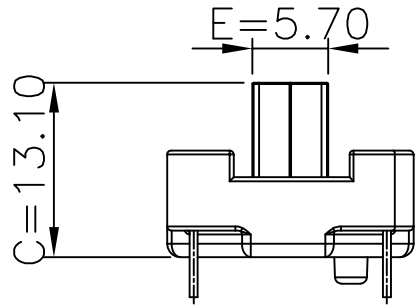
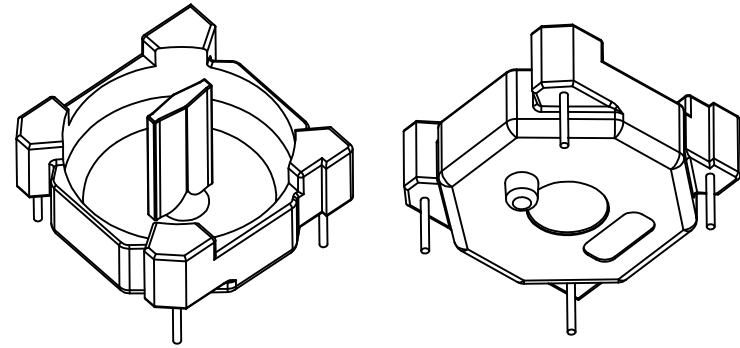
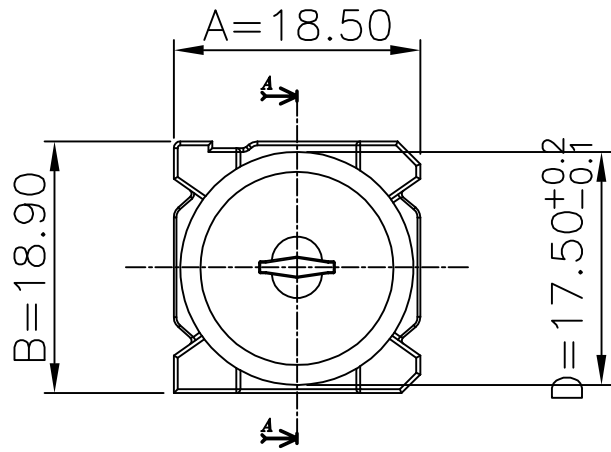
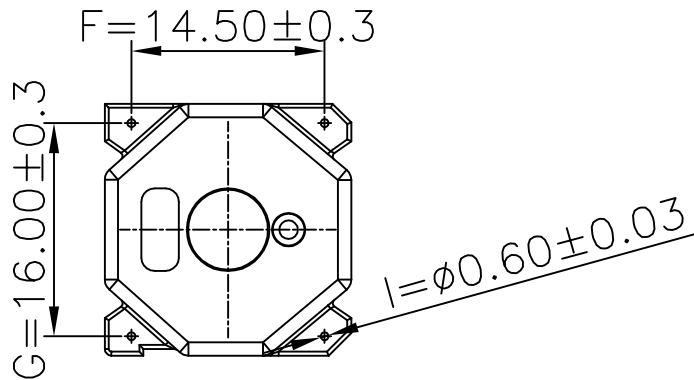


| TOLERANCE | |
|--------------|------|
| 0 ≤ L ≤ 4 | ±0.1 |
| 4 ≤ L ≤ 16 | ±0.2 |
| 16 ≤ L ≤ 50 | ±0.3 |
| 50 ≤ L ≤ 83 | ±0.4 |
| 83 ≤ L ≤ 75 | ±0.5 |
| 75 ≤ L ≤ 100 | ±0.7 |



SECTION A-A



| MARK | | | | REVISION NOTE | | | |
|--|---------|----------|---|----------------------|--|-------------------|----------|
| △ | | | | | | | |
| △ | | | | | | | |
| △ | | | | | | | |
| | | | | 16.09.29 | MS, Kim | KM, Seo | C, Park |
| | | | | DATE | DRAWN | CHECKED | APPROVED |
| DRAWN | CHECKED | APPROVED | MATERIAL : PENOL | UL REC. : UL94V-0 | THIRD ANGLE PROJ. | SCALE : 1/1 | |
| MS, Kim | KM, Seo | C, Park | Z : PIN LENGTH (According to customer's request) | DATE : 2016.02.11 | TOLERANCE : ±0.2 (Unless otherwise specified) | UNIT : m/m | |
| 주식회사 대흥보빈 DAE HEUNG BOBBIN CO., LTD | | | | TITLE | | DWG NO | |
| | | | | OR 14φ KEY BASE (4P) | | DH-160115-8661-01 | |